

## Features

- Compact valves for general service applications
- Low-cost, 4-way valve when low flow is sufficient
- Mountable in any position

## Construction

Valve Parts in Contact with Fluids		
Body	Brass	316 Stainless Steel
Seals and Disc	NBR and PA	
Core Tube	305 Stainless Steel	
Core and Plugnut	430F Stainless Steel	
Springs	302 Stainless Steel	
Shading Coil	Copper	Silver
Piston	PA	

## Electrical

Standard Coil and Class of Insulation	Watt Rating and Power Consumption				Spare Coil Part Number					
	DC Watts	AC			General Purpose		Explosionproof (EF)		Explosionproof (EV)	
		Watts	VA Holding	VA Inrush	AC	DC	AC	DC	AC	DC
F	11.6	10.1	25	50	238610	238710	238614	238714	274614	274714

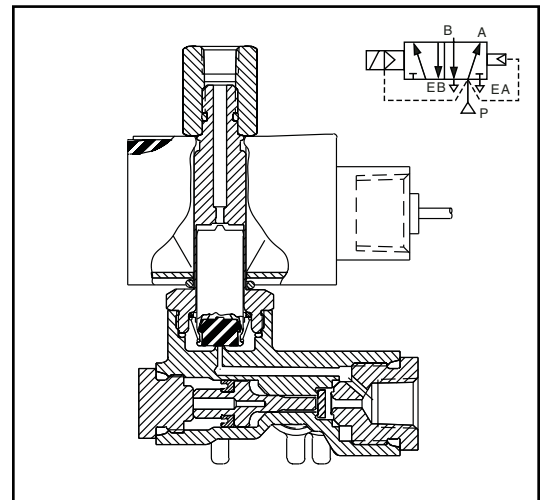
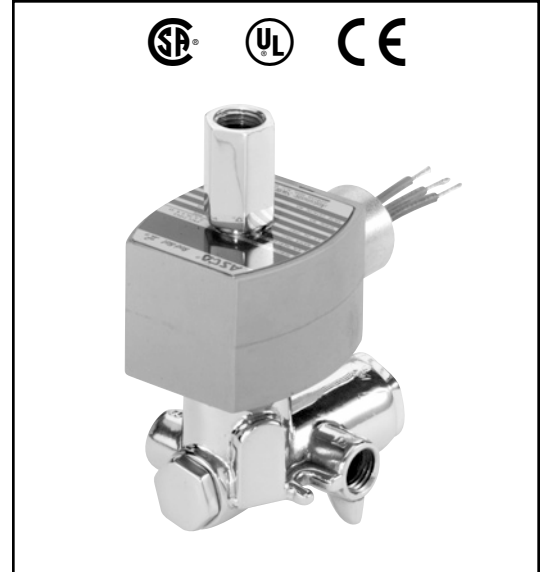
**Standard Voltages:** 24, 120, 240, 480 volts AC, 60 Hz (or 110, 220 volts AC, 50 Hz).  
 6, 12, 24, 120, 240 volts DC. Must be specified when ordering.  
 Other voltages are available when required.

## Solenoid Enclosures

**Standard:** Watertight, Types 1, 2, 3, 3S, 4, and 4X.

**Optional:** Explosionproof and Watertight, Types 3, 3S, 4, 4X, 6, 6P, 7, and 9. (To order, add prefix "EF" or, for Explosionproof Stainless Steel trim and hub on Brass-Bodied valves, add "EV" to catalog number.)

See *Optional Features Section* for other available options.



## Nominal Ambient Temp. Ranges

AC: 32°F to 125°F (0°C to 52°C)

DC: 32°F to 104°F (0°C to 40°C)

Refer to *Engineering Section* for details.

## Approvals

CSA certified. UL listed as General Purpose Valve.

EV8345G081 solenoid only UL approved.

Meets applicable CE directives.

Refer to *Engineering Section* for details.

## Important

A Minimum Operating Pressure Differential must be maintained between the pressure and exhaust ports.

Supply and exhaust piping must be full area, unrestricted.

ASCO flow controls and other similar components must be installed in the cylinder lines only.

Refer to *Engineering Section* for details.

4-WAY

**Specifications (English units)**

Pipe Size (in)	Orifice Size (in)		Cv Flow Factor		Operating Pressure Differential (psi)						Max. Fluid Temp. °F		Brass Body		Stainless Steel Body		Watt Rating/Class of Coil Insulation	
					Max. AC			Max. DC										
	Press.	Exh.	Inlet	Exh.	Min.	Air-Inert Gas	Water	Lt. Oil @ 50 SSU	Air-Inert Gas	Water	Lt. Oil @ 50 SSU	AC	DC	Catalog Number	Catalog Number	Const. Ref.	AC	DC
<b>SINGLE SOLENOID</b>																		
1/4	1/16	3/32	.09	.09	10	150	150	150	100	100	100	180	104	8345G001	EV8345G081	1	10.1/F	11.6/F
<b>SINGLE SOLENOID AIR-ONLY CONSTRUCTION - Exhaust to Atmosphere</b>																		
1/4	1/16	3/32	.09	.09	10	150	-	-	100	-	-	180	104	8345H003	-	1	10.1/F	11.6/F

4-WAY

**Specifications (Metric units)**

Pipe Size (in)	Orifice Size (mm)		Kv Flow Factor (m³/h)		Operating Pressure Differential (bar)						Max. Fluid Temp. °C		Brass Body		Stainless Steel Body		Watt Rating/Class of Coil Insulation	
					Max. AC			Max. DC										
	Press.	Exh.	Inlet	Exh.	Min.	Air-Inert Gas	Water	Lt. Oil @ 50 SSU	Air-Inert Gas	Water	Lt. Oil @ 50 SSU	AC	DC	Catalog Number	Catalog Number	Const. Ref.	AC	DC
<b>SINGLE SOLENOID</b>																		
1/4	2	2	.08	.08	0.7	10	10	10	7	7	7	82	40	8345G001	EV8345G081	1	10.1/F	11.6/F
<b>SINGLE SOLENOID AIR-ONLY CONSTRUCTION - Exhaust to Atmosphere</b>																		
1/4	2	2	.08	.08	0.7	10	-	-	7	-	-	82	40	8345H003	-	1	10.1/F	11.6/F

**Dimensions inches (mm)**

